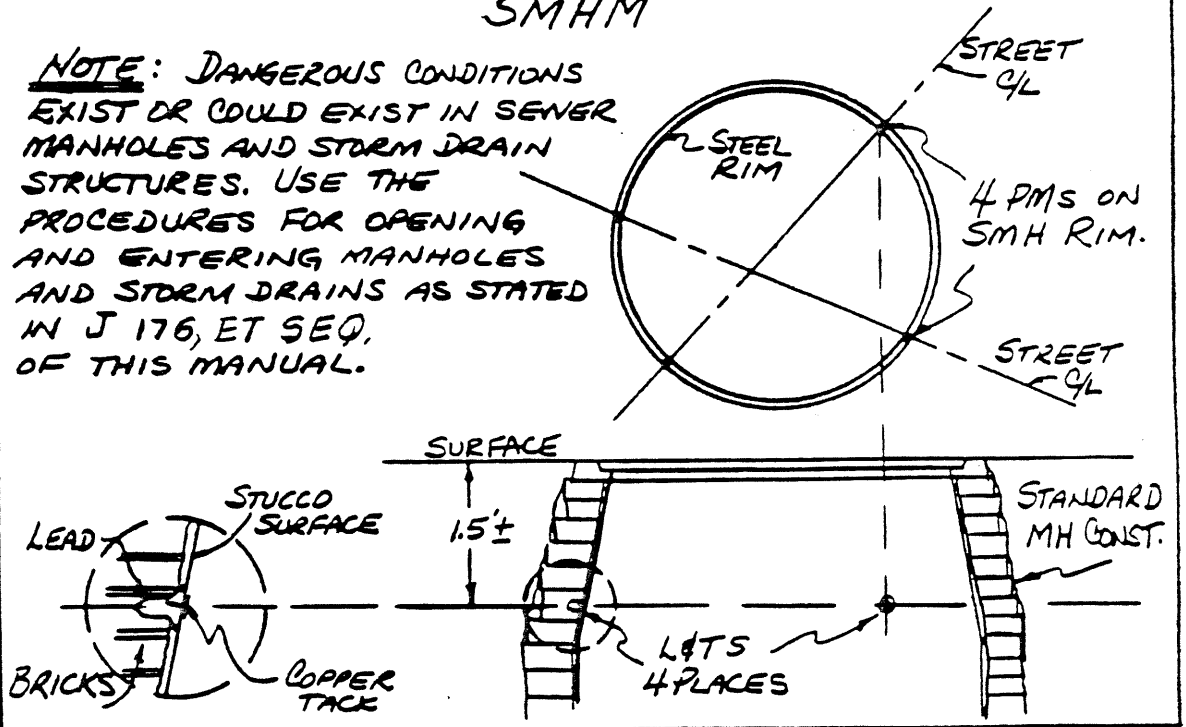


STANDARD MANHOLE MONUMENT SMHM

NOTE: DANGEROUS CONDITIONS EXIST OR COULD EXIST IN SEWER MANHOLES AND STORM DRAIN STRUCTURES. USE THE PROCEDURES FOR OPENING AND ENTERING MANHOLES AND STORM DRAINS AS STATED IN J 176, ET SEQ. OF THIS MANUAL.



STANDARD MANHOLE MONUMENT SMHM

NOTE: DANGEROUS CONDITIONS EXIST OR COULD EXIST IN SEWER MANHOLES AND STORM DRAIN STRUCTURES. USE THE PROCEDURES FOR OPENING AND ENTERING MANHOLES AND STORM DRAINS AS STATED IN J 176, ET SEQ. OF THIS MANUAL.

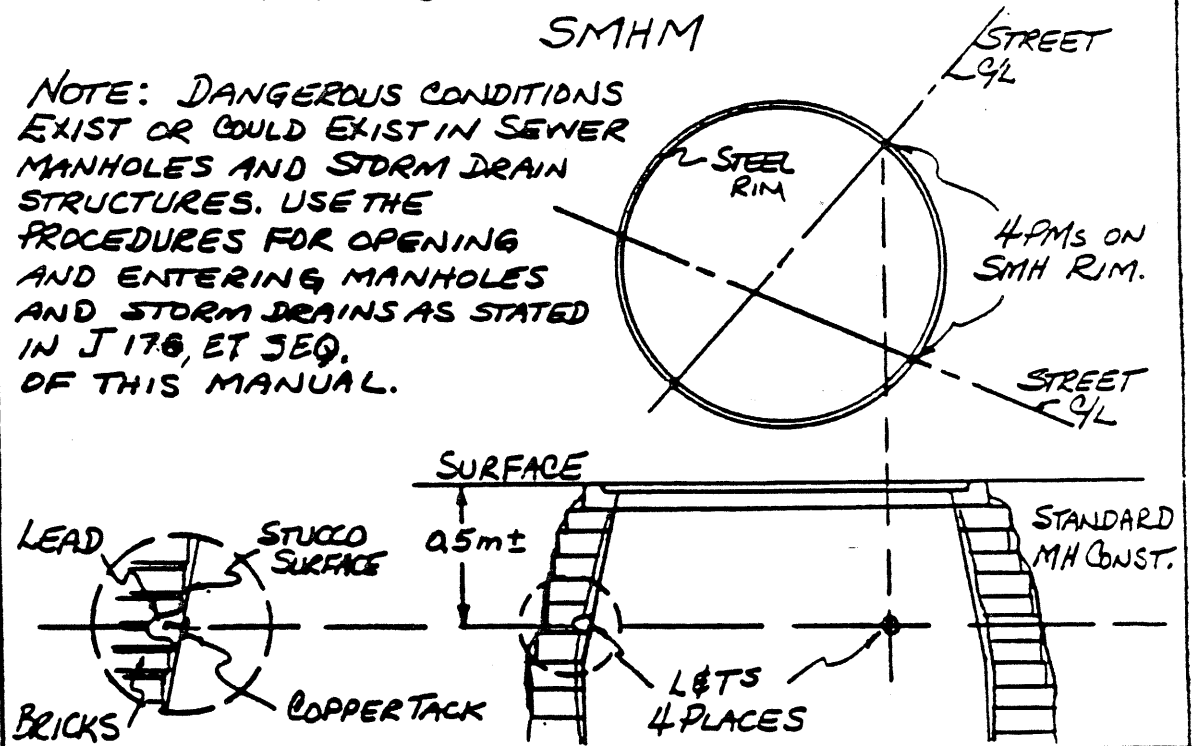


Figure J 383F
(Rev. 12-86)